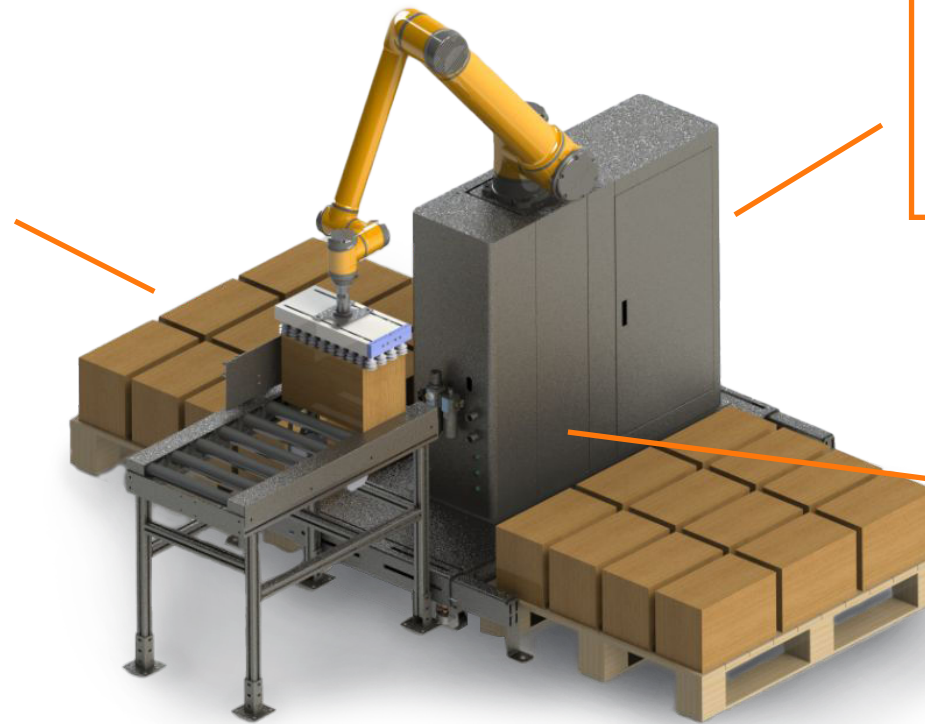


The Palletizing Station uses specially designed software with preset routines created by AUBO Engineers to stack workpieces perfectly, every time. Taking the guess work out of end-of-line palletizing. Just follow the on screen prompts by entering your project details and specifications – no programming required, and watch as the Palletizing Station does the rest.

The included frame and chassis acts as a housing to store the cables, mechanics, and the control box out of view. The Palletizing Station is a turnkey solution that moves as one piece without the need for any internal configuration or wiring; minimizing downtime by making deployment and initial setup a breeze.

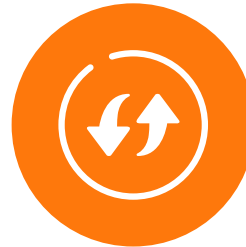
The palletizing station includes a vertical column that acts as a 7th degree of freedom that allows translation on the Z axis, improving cycle times and efficiency. Sensors are additionally placed in front of the vertical column to detect pallets and workpieces, ensuring operational accuracy and precise placement.



SCAN ME



No Programming  
Experience Required



Preconfigured  
For Fast Deployment

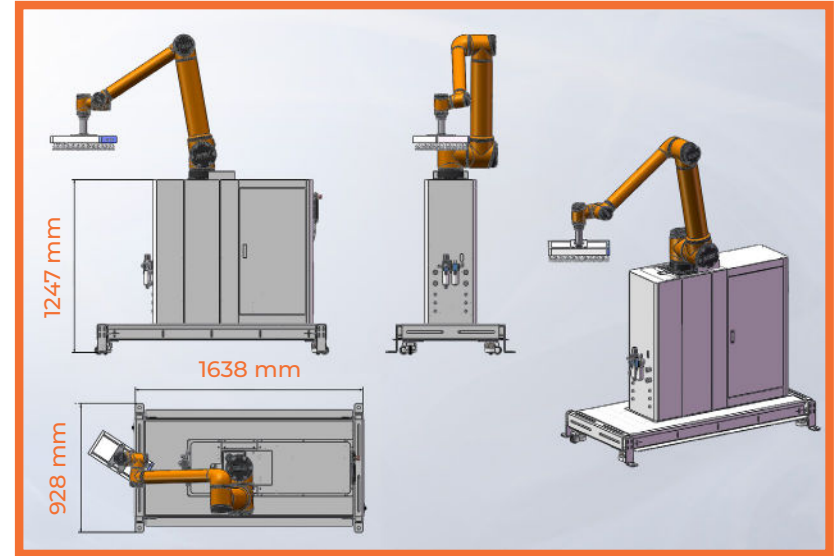


Field Tested  
Across Applications

## AUBO I20 COBOT



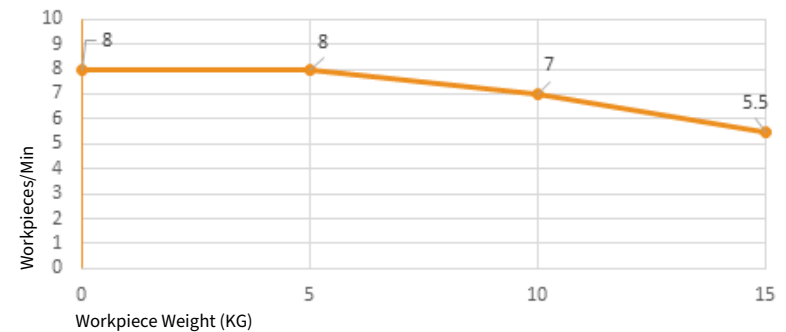
## SYSTEM DIMENSIONS



### SYSTEM SPECIFICATIONS

|                        |   |
|------------------------|---|
| Cobot Payload          | 20 kg                                   |
| Max Cobot Reach        | 1650 mm                                 |
| Repeatability          | ±0.1mm                                  |
| Maximum Pallet Size    | L: 1200 mm x W: 1200 mm                 |
| Maximum Stack Height   | 2100 mm                                 |
| Floor Space Dimensions | L: 1640mm x W: 1428mm x H: 1250mm       |
| Avg. Power Consumption | 500 W                                   |
| Peak Power Consumption | 1500 W                                  |
| Operating Temperature  | 0-50 °C                                 |
| Humidity               | 90% Relative Humidity (No Condensation) |

### AVERAGE SPEED OF OPERATION



The Aubo Palletizing Station is a turnkey solution built from the ground up to eliminate programming from the end-of-line palletizing process and minimize the setup associated with collaborative robotic palletizing. Out of the box, the AUBO Palletizing Station comes prewired and configured, so you can deploy within minutes – not hours.

The system features an easy-to-use programming-free UI built around custom designed protocols created by AUBO Robotics USA engineers, before starting your project the system will request details like your pallet size, desired palletizing pattern, and additional project specifications – these details are all the system requires to create a robotic program and automatically start your palletizing process. The AUBO Palletizing Station is the ultimate all-in-one palletizing solution for ease of use and simplicity helping your business save time and money on research, development, and engineering.